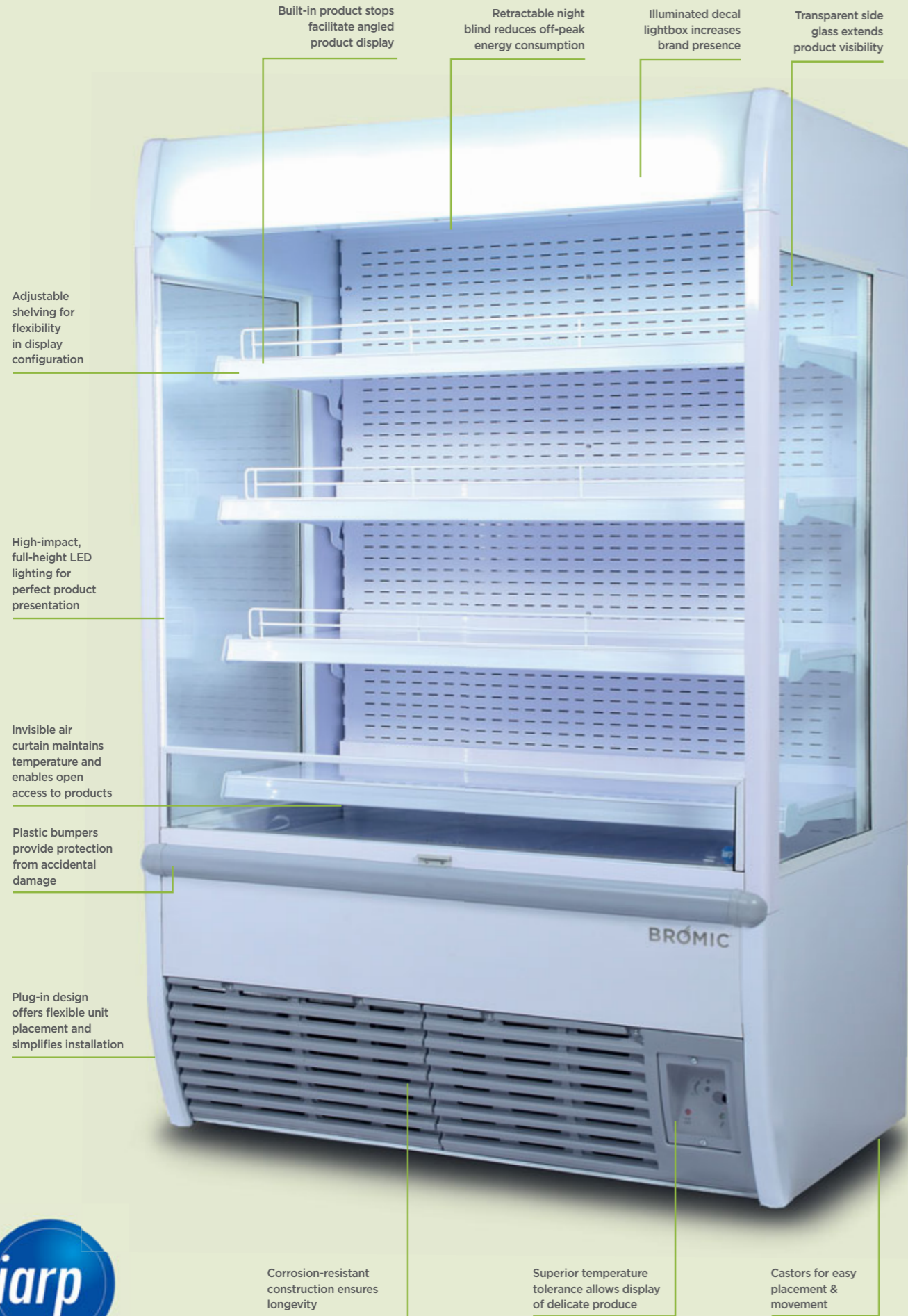


IARP's Open Display range offers powerful performance in a plug-in package, creating attractive open displays with exceptionally accurate temperature control.



Built-in product stops facilitate angled product display

Retractable night blind reduces off-peak energy consumption

Illuminated decal lightbox increases brand presence

Transparent side glass extends product visibility

Adjustable shelving for flexibility in display configuration

High-impact, full-height LED lighting for perfect product presentation

Invisible air curtain maintains temperature and enables open access to products

Plastic bumpers provide protection from accidental damage

Plug-in design offers flexible unit placement and simplifies installation

Corrosion-resistant construction ensures longevity

Superior temperature tolerance allows display of delicate produce

Castors for easy placement & movement

53. Vision ECO Displays

Bromic's Vision ECO Open Displays have been developed in conjunction with internationally-acclaimed manufacturer IARP to offer plug-in solutions that simplify the installation of self-service refrigerated retail aisles.

Accurate temperature controls allow this unit to display delicate produce despite its open front while plug-in operation eliminates prior planning approval and expensive installation.



54. Gemma Impulse Displays

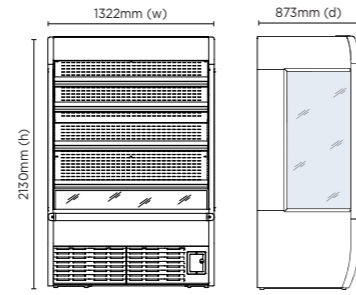
Bromic's Gemma Impulse Open Displays have been developed in conjunction with internationally-acclaimed manufacturer IARP as an effective way to encourage impulse point-of-sale purchases.

This plug-in unit features an invisible air curtain to maximise efficiency while offering easy access for customers tempted by quick, convenient self-service.



56. Specification Reference Guide





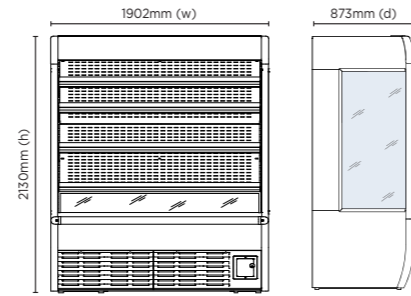
VISION1200

### Vision ECO 1330L LED Open Display

Part No.	Capacity	Weight
3335275	1330L	266kg

External (mm)	
Height	2130
Width	1322
Depth	873

- Invisible air curtain maintains temperature
- Built-in shelf stops minimise setup costs and stock wastage
- Included night blind reduces energy consumption during off-peak periods
- Adjustable tilt shelving
- Temperature range: 0 to +10°C



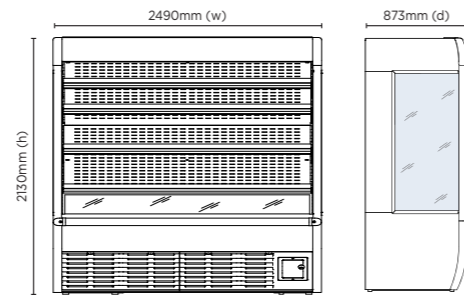
VISION1800

### Vision ECO 1913L LED Open Display

Part No.	Capacity	Weight
3335276	1913L	310kg

External (mm)	
Height	2130
Width	1902
Depth	873

- Invisible air curtain maintains temperature
- Built-in shelf stops minimise setup costs and stock wastage
- Included night blind reduces energy consumption during off-peak periods
- Adjustable tilt shelving
- Temperature range: 0 to +10°C



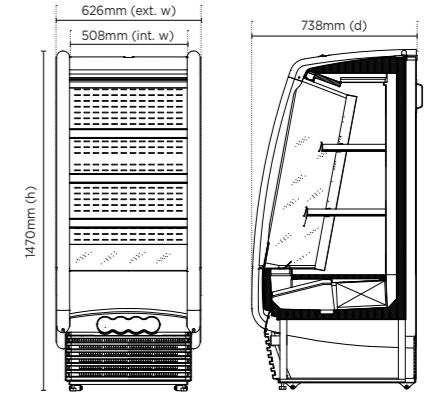
VISION2400

### Vision ECO 2555L LED Open Display

Part No.	Capacity	Weight
3335277	2555L	443kg

External (mm)	
Height	2130
Width	2490
Depth	873

- Invisible air curtain maintains temperature
- Built-in shelf stops to minimise setup cost and stock wastage
- Included night blind reduces energy consumption during off-peak periods
- Adjustable tilt shelving
- Temperature range: 0 to +10°C



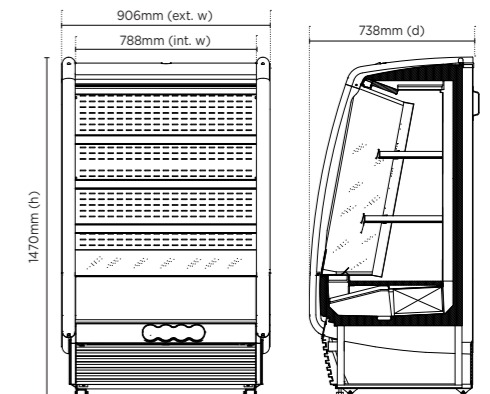
GEMMA30

### Gemma Impulse 330L Open Display

Part No.	Capacity	Weight
3335290	330L	104kg

External (mm)	
Height	1470
Width	626
Depth	738

- Tempts impulse purchases at point-of-sale
- Invisible air curtain allows easy access while maintaining temperature
- Built-in shelf stops minimise setup costs and stock wastage
- Temperature range: 0 to +10°C



GEMMA45

### Gemma Impulse 485L Open Display

Part No.	Capacity	Weight
3335295	485L	141kg

External (mm)	
Height	1470
Width	906
Depth	738

- Tempts impulse purchases at point-of-sale
- Invisible air curtain allows easy access while maintaining temperature
- Built-in shelf stops minimise setup costs and stock wastage
- Temperature range: 0 to +10°C



*“Our customers are impressed by the look of the fridges when they’re powered on and lined up together...”*

**- Orien’s Supermarket**



## Specification Reference Guide

Model	VISION1200	VISION1800	VISION2400	GEMMA30	GEMMA45
Part Number	3335275	3335276	3335277	3335290	3335295
Ext. Height (mm)*	2130	2130	2130	1470	1470
Ext. Width (mm)*	1322	1902	2490	626	906
Ext. Depth (mm)*	873	873	873	738	738
Capacity	1330L	1913L	2555L	330L	485L
Temp. Range	0 to +10°C	0 to +10°C	0 to +10°C	0° to +10°C	0° to +10°C
Max. Ambient Temp.	25°C	25°C	25°C	25°C	25°C
Refrigeration Power	2300W	2650W	3500W	950W	1100W
Current	11.6A	13.6A	16.5A	5.8A	5.5A
Gross Weight	266kg	310kg	443kg	104kg	141kg
Refrigerant	R404a	R404a	R404a	R290	R290
Plugs Supplied	1	1	1	1	1
Power Supply	15A	15A	20A	10A	10A
<b>Features</b>					
Display Light Box	✓	✓	✓		
Main Light	LED	LED	LED	Fluoro	Fluoro
Air Curtain	✓	✓	✓	✓	✓
Analogue Temp. Controller	✓	✓	✓	✓	✓
Feet/Castors	✓	✓	✓	✓	✓
No. of Shelves Incl. Base	4	4	4	3	3
Shelf Stops Incl.	✓	✓	✓		
Night Blind	✓	✓	✓		
Colour	White	White	White	White	White
<b>Warranty</b>					
Parts (Years)	1	1	1	1	1
Labour (Years)	1	1	1	1	1

\*Dimensions exclude lightbox & handle protrusions