

TECHNICAL SPECIFICATION SHEET FOR

Icematic Storage Bin

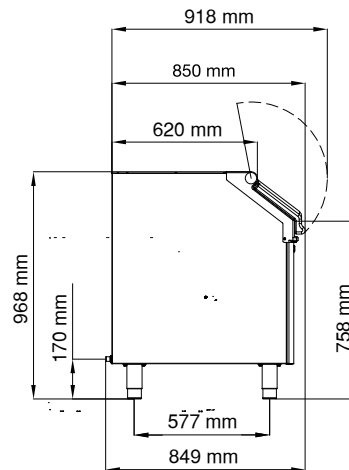
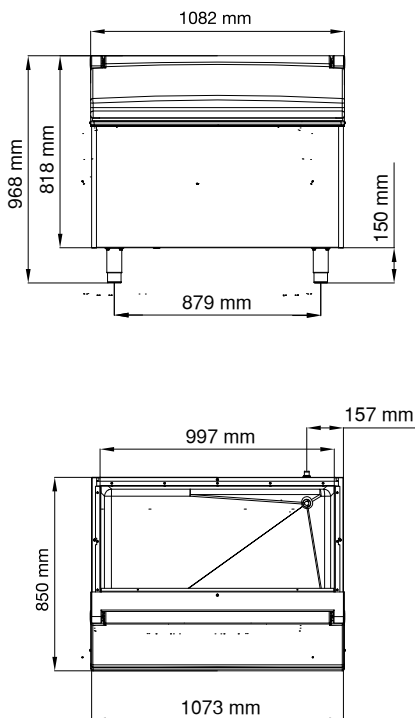
SB305



-
- **252kg** maximum ice storage capacity
 - **0.513m³** internal volume
 - High density polyethylene insulation
 - Stainless steel bin exterior
 - Robust door frame that resist operation abuse
 - Fully removable door gasket seals door opening to reduce ice melt and easy cleaning
 - Storage bin base drain tube conveniently rotates to allow ease of connection with any floor water drain position
 - Includes ice scoop with antimicrobial Agion for better sanitation
 - Bin castor available on request

TECHNICAL SPECIFICATION SHEET FOR

Icematic Storage Bin SB305



SB305

Dimensions

Width:	1082mm
Height:	968mm (including legs)
Depth:	850mm
Nett weight:	48kg
Packed weight:	63kg



moffat.com.au
moffat.co.nz

Australia
Moffat Pty Limited
Victoria/Tasmania
740 Springvale Road
Mulgrave, Victoria 3170
Telephone 03-9518 3888
Facsimile 03-9518 3833
vsales@moffat.com.au

New South Wales
Telephone 02-8833 4111
nswsales@moffat.com.au

South Australia
Telephone 03-9518 3888
vsales@moffat.com.au

Queensland
Telephone 07-3630 8600
qldsales@moffat.com.au

Western Australia
Telephone 08-9202 6820
bgarcia@moffat.com.au

New Zealand
Moffat Limited
Christchurch
45 Illinois Drive
Rolleston
Christchurch 7675
Telephone 03-983 6600
Facsimile 03-983 6660
sales@moffat.co.nz

Auckland
Telephone 09-574 3150
sales@moffat.co.nz

Disclaimer:
All unit capacities are based on
subjective testing. Moffat accepts no
liability for production values.



In line with policy to continually
develop and improve its products,
Moffat Limited reserves the right to
change specifications and design
without notice.

© Copyright Moffat Ltd
Moffat 12.14

